

Product info 35: small Heater

Heater for filter device

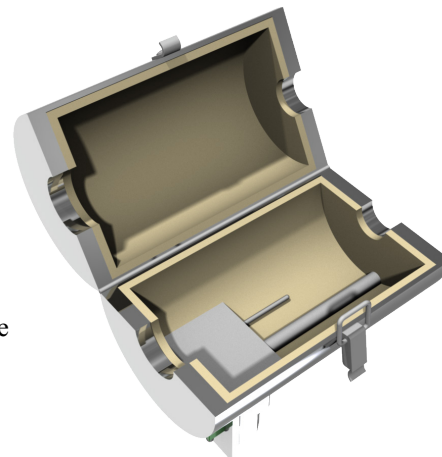
Filter heater out of aluminium half-pipes.

The open half-pipe permit free access to the filter device.

The hot parts can remove trouble-free with open-end wrenches because the heater can be removed completely.

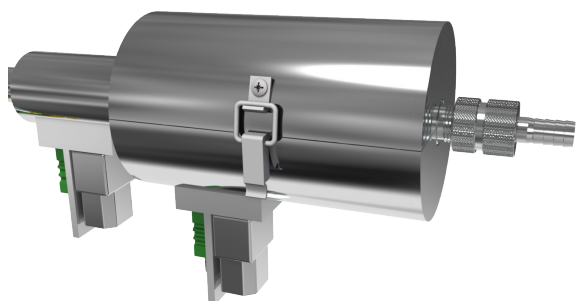
Suitable for all plane and tubular filter devices.

The heater can mounted fast and easily without any tools by folding around the end of the suction tube.



Small heater: electrical, performance: ~ 200 Watt, 230 V,
Ø 110 x 150 mm with thermocouple (NiCr-Ni)

Art.-No.: 35.03



Heater at suction tube

