

PAUL GOTHE BOCHUM

PAUL GOTHE GmbH
Manufacturer of Emissions Control Technology



Productinfo: OUT-Stack-Heater with gas distributor

Heater for filter devices and gas distributor

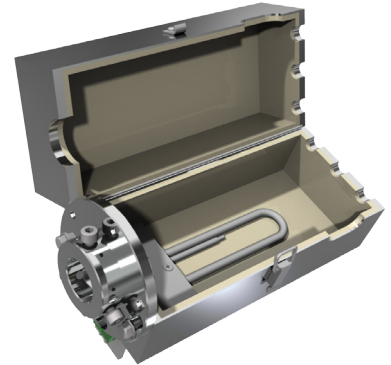
The large heater serves filter devices with gas distributor. The heater is fastened to the suction tube by means of a flange and stabilizes the internal parts. At the heater can mounting one carrying box for bubblers. Heater with 5 mm thick thermal mineral fibre insulation.

Heater cartridge: 400 W, 230 V, with NiCr-Ni Thermocouple to regulate exactly the temperature according to EN.

Shape: Aluminum-square tube: 120 x 120 x 285 mm.

In the delivery: 5 m power cable and cable for NiCr-Ni. Weight: 3 kg

Article-No: 35.06



Gas distributor to separate the main gas flow into two gas streams. E.g. one main gas volume for the isokinetic regulation and two constant sampling through the bubbler. Entrance: Union nut for the exit of the filter device, 90° bent with external thread G 3/4 and hose fast connector, 2 x exits with threads for adapter. Material: Titanium.

Article-No: 40.019-T

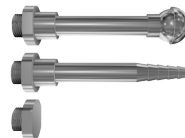


Adapter versions:

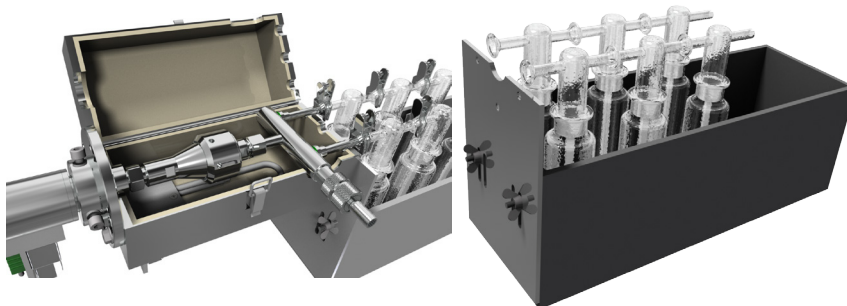
KS-19 ball for bubbler: Art.-No.: 40.019-T-KS

Hose nipple (for 6..10 mm hose): Art.-No.: 40.019-T-O

Closing cap: Art.-No.: 40.019-T-V



Example for 2 or 1 bubbler street or with hose nipple

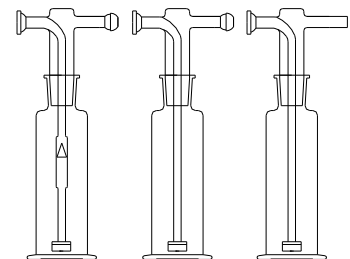


Heater mounted at suction tube (flange), with filter head and gas distributor for two bubbler streets. Solid coupling of the bubbler carrying box at the heater.

Carrying box for 3-8 bubbler in series for 2 bubbler streets a' 4 bubbler, at ground tracks for safe positioning of the bubbler.

Material: PVC
Length: ~490 mm, Wide: ~150 mm,
High: ~170 mm

Article-No: 45.02



Frit-bubbler street 250 ml Duran.
1. bottle with check valve

Art.-No.: 41.0-S-0