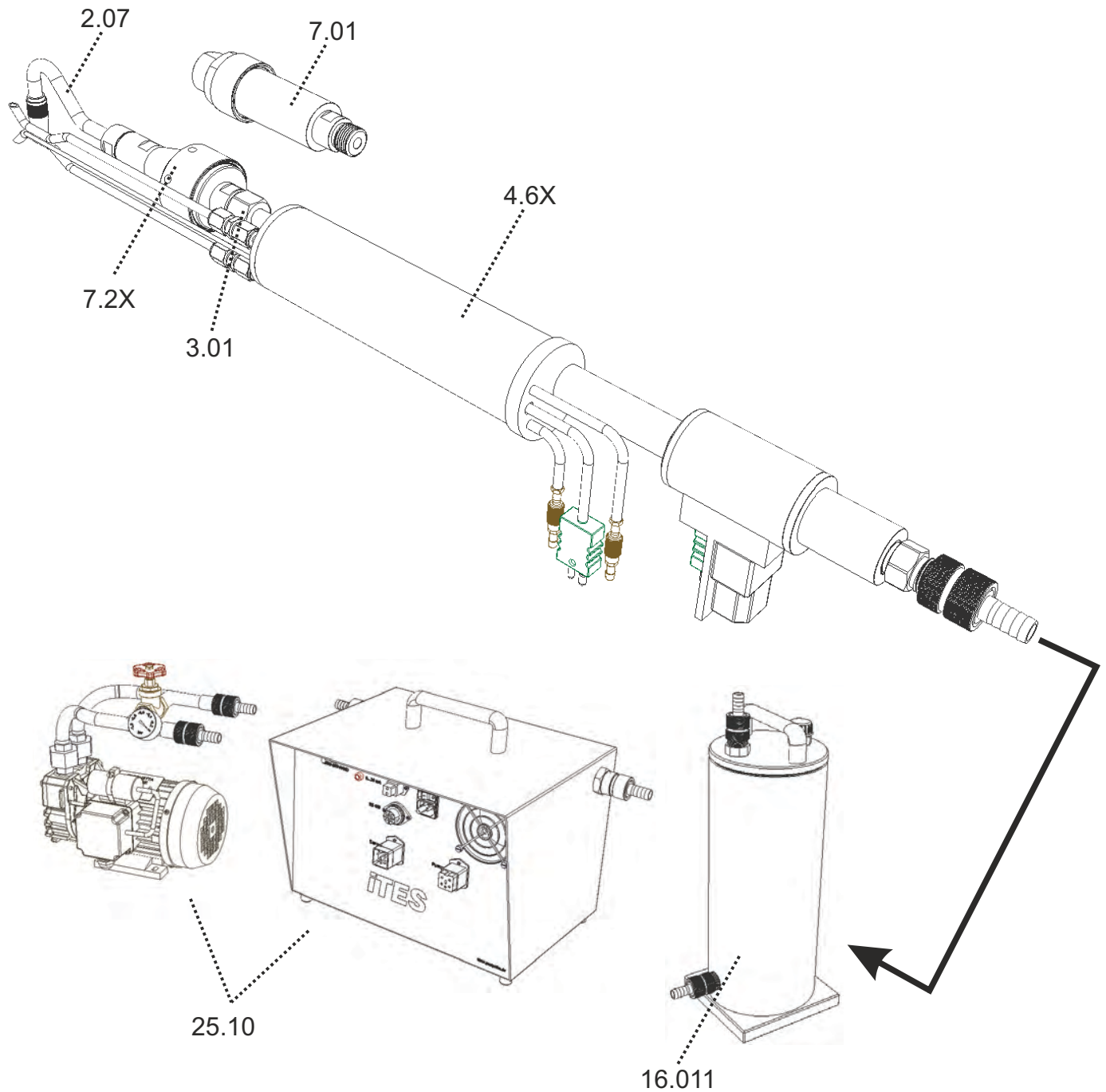


**Isokinetic Sampling Line:**

Configuration for the determination of particulate matter according to EN 13284-1 - EPA 5:  
**IN-Stack**



Sampling Line with filter (Table or tubular), heated probe and automatic isokinetic sampler