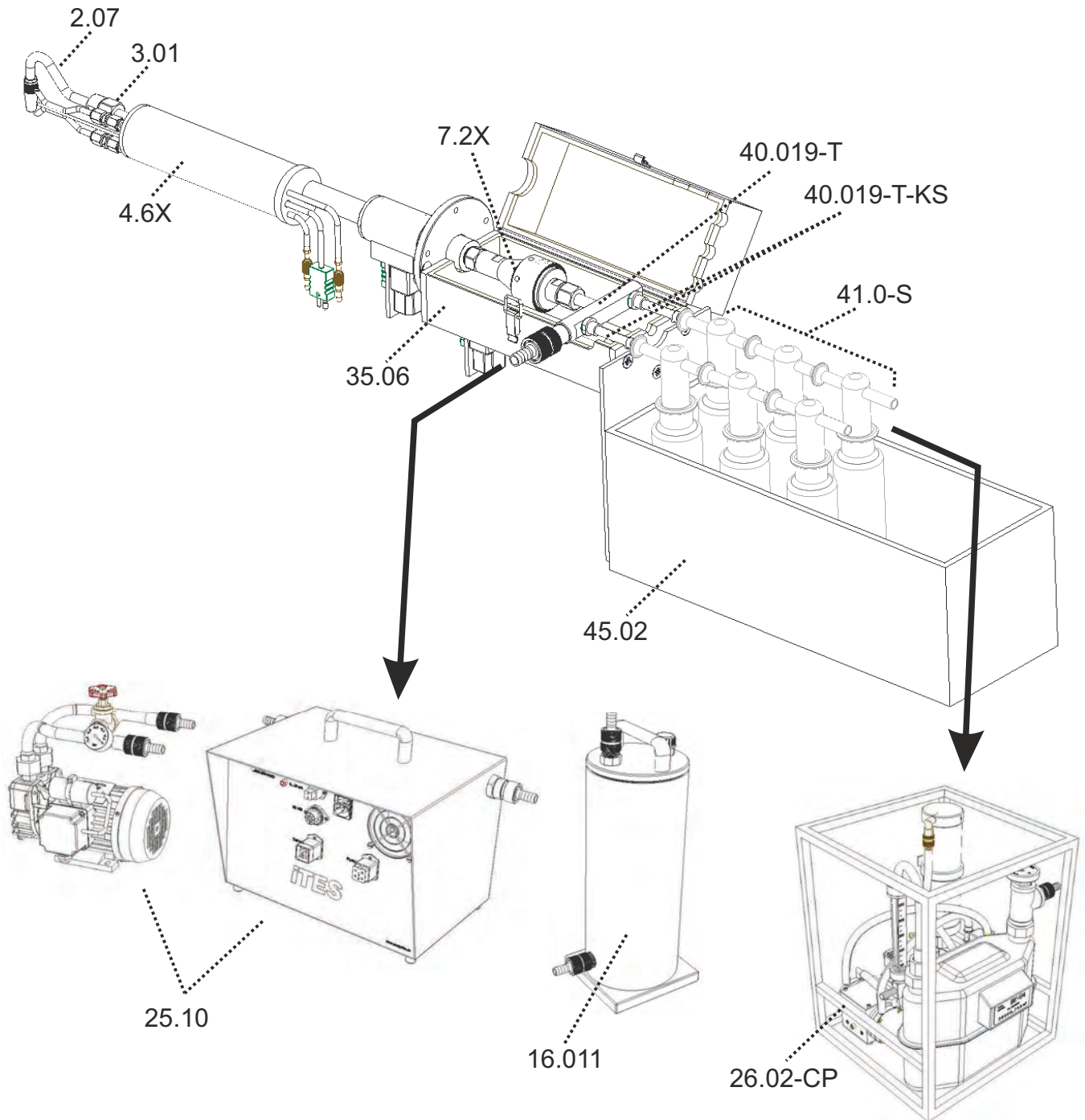


Isokinetic Sampling Line:

Configuration for the determination of particulate matter and filter passing elements according to EN 13284-1 - EPA 5: **OUT-Stack**



Sampling Line with heated probe, heated plane filter, impinger, gas sampler and automatic isokinetic sampler