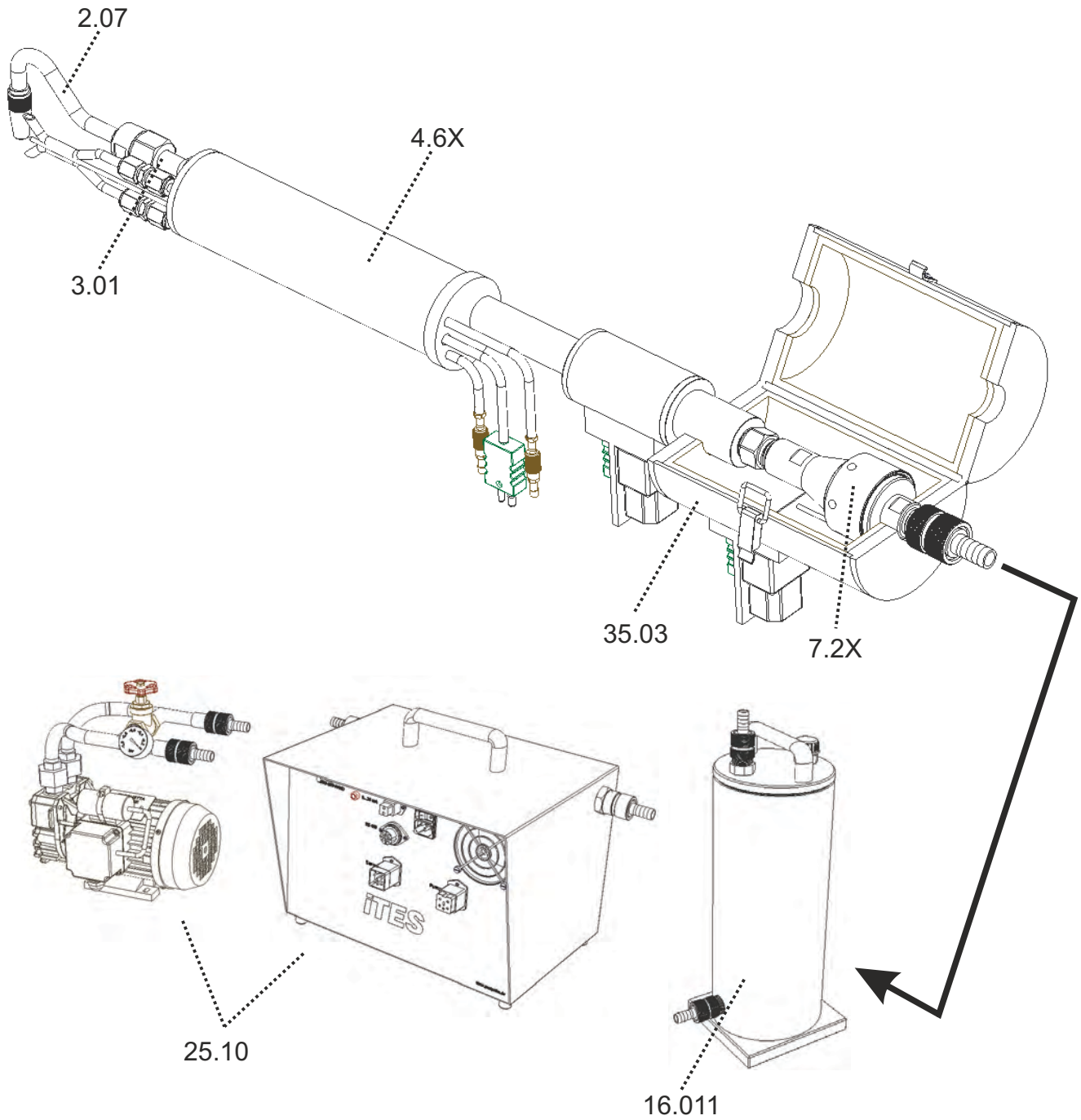


Isokinetic Sampling Line:  
 Configuration for the determination of particulate matter according to EN 13284-1 - EPA 5:  
**OUT-Stack**



Sampling Line with heated probe, heated plane filter and automatic isokinetic sampler